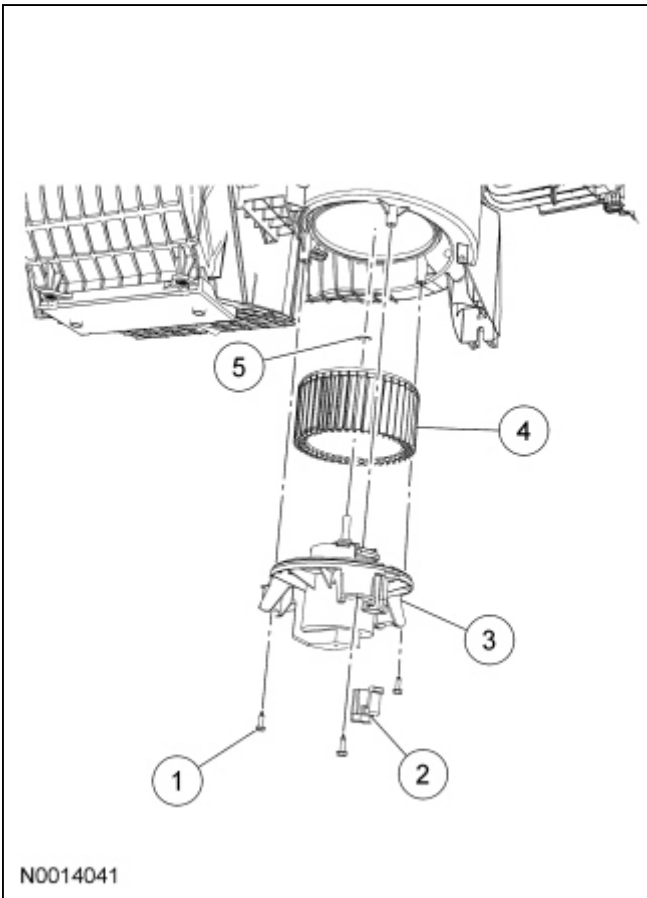


## Blower Motor



Item	Part Number	Description
1	W701696	Blower motor screw (3 required)
2	—	Blower motor electrical connector (part of 18B574)
3	19805	Blower motor
4	19834	Blower motor wheel
5	18A287	Blower motor wheel clip

### Removal and Installation

1. Disconnect the blower motor electrical connector.
2. Remove the 3 blower motor screws.
3. Remove the blower motor.
4. Remove the blower motor wheel clip.
5. Remove the blower motor wheel.
6. To install, reverse the removal procedure.

